



ErP

2020

ec

technology



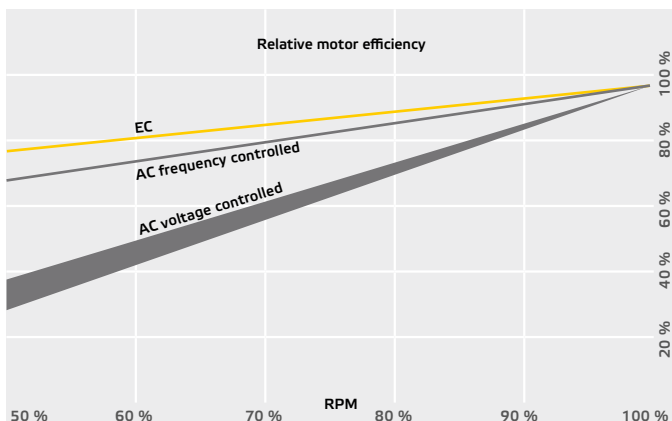
aeroefficiency

EC FANS

TECHNOLOGY & DESIGN



EC TECHNOLOGY



ruck Ventilatoren develops highly efficient solutions for ventilation applications. Together with an outstanding aeroefficiency, the use of brushless DC motors ensures the highest overall efficiencies which show their strength especially in the partial load range. EC motors are permanent magnet motors in which the unit is not commutated mechanically but electronically. This commutation electronics uses a rectifier to convert the AC mains voltage to DC voltage. Low winding temperatures and low losses ensure a longer lifetime for EC motors. Compared to conventional AC motors, they require significantly less power for the same flow rate. A special savings potential is achieved by our EC fans in the partial

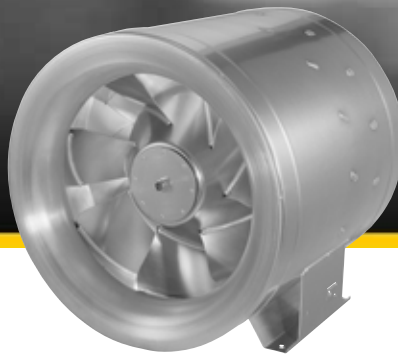
load range or with control operation mode. In this range, the efficiency loss is much lower, when compared to AC fans with similar capacity. By this technology, an efficient, silent and continuous speed control is possible.



THE MAIN FEATURES AT A GLANCE

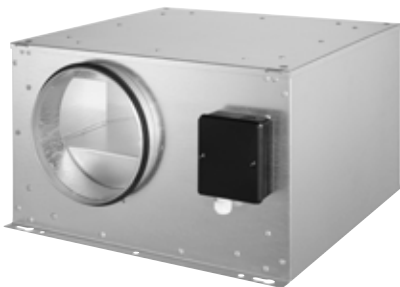
- Future-proof as it complies with and exceeds the legal requirements (Ecodesign requirements; ERP Directive)
- Higher efficiency rates over the entire characteristic curve
- Up to 90% higher efficiency than the conventional motor technology
- Cost savings through reduced energy consumption, very short amortisation
- Quiet operation over the entire characteristic curve
- Integrated motor monitoring
- Easy speed control via 0-10V signal
- Easy installation due to simple electrical connection
- Long lifetime through intelligent commutation

TUBE FANS



EM...EC

- Maximum aerodynamic efficiency through computer-optimized, three-dimensionally curved impeller and stator blades
- The housing can be rotated resulting in flexible positioning of the electrical connection box



EL...EC

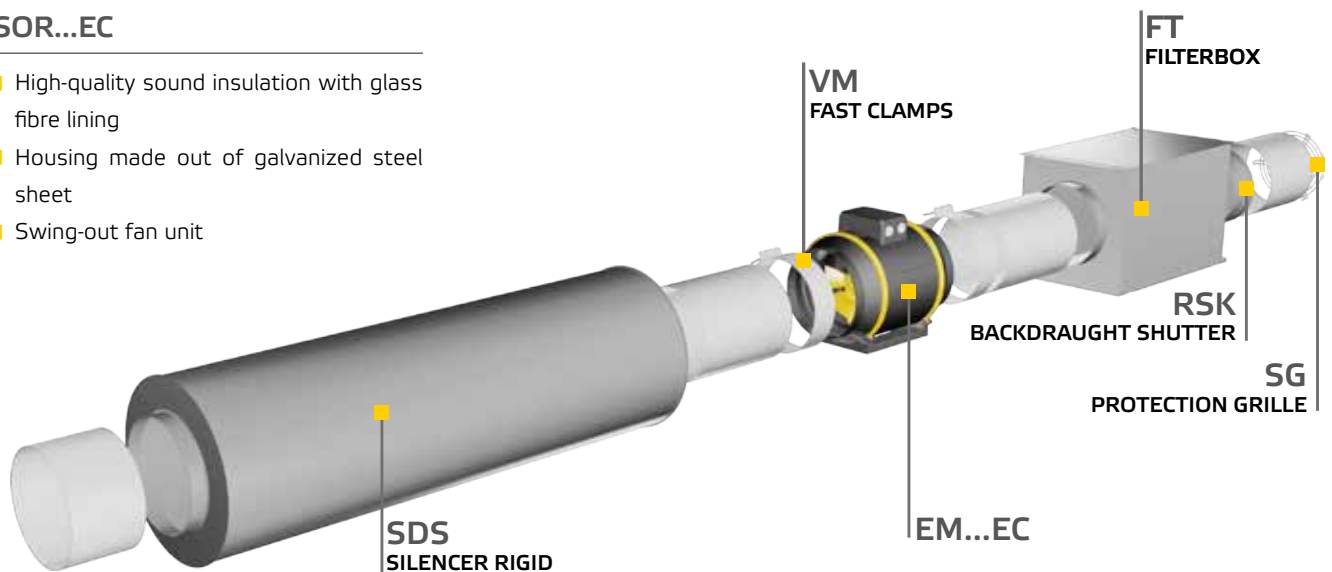
- Proves a very high energy saving potential
- Diagonal fan with three-dimensionally shaped rotor and stator blades
- Housing made out of plastic, galvanized steel or aluminum

RS...EC

- Backward curved radial impeller
- Galvanized steel sheet housing, RAL 7035 (light gray) powder coated

ISOR...EC

- High-quality sound insulation with glass fibre lining
- Housing made out of galvanized steel sheet
- Swing-out fan unit

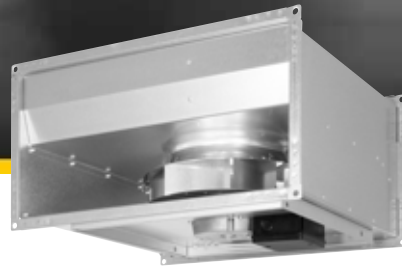


DUCT FANS



EMKI...EC

- Built-in ETAMASTER diagonal fan
- Sound optimized housing made out of galvanized steel sheet



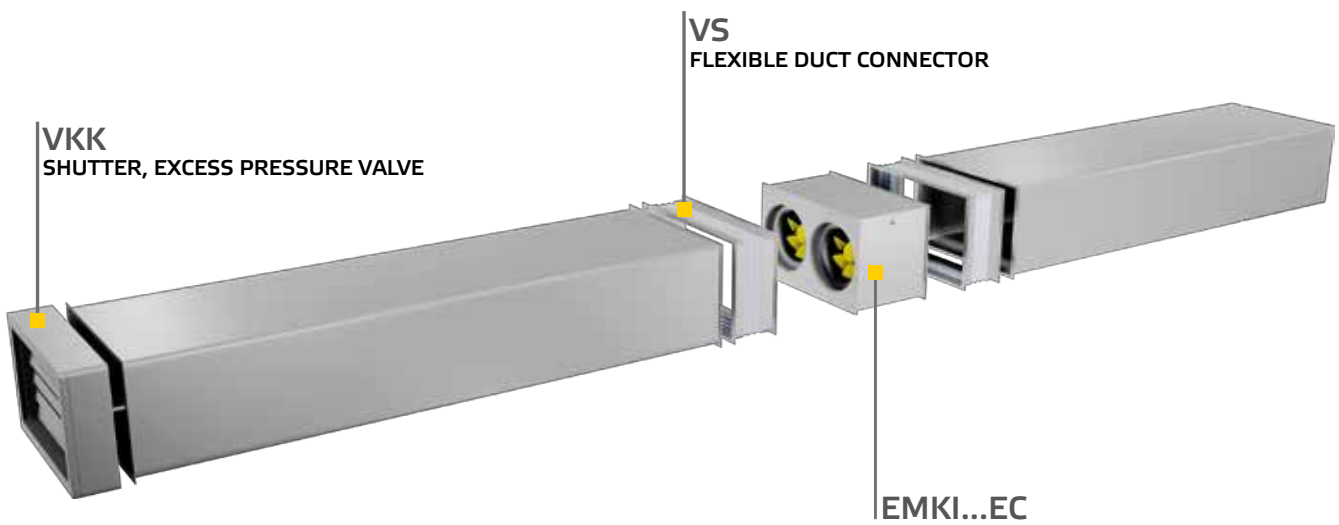
KVR...EC

- Galvanized metal housing
- Swing-out fan unit for cleaning and maintenance

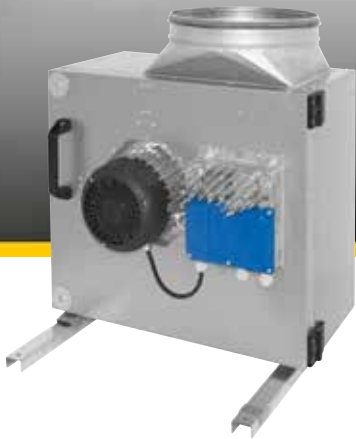


KVRI...EC

- High quality insulation for low noise operation
- Swing-out fan unit for cleaning and maintenance



EXTRACT FANS



MPS...EC

- The professional solution for the extraction of kitchen exhaust air
- Motor outside the air stream, acc. VDI 2052
- With integrated condensate and fat drain



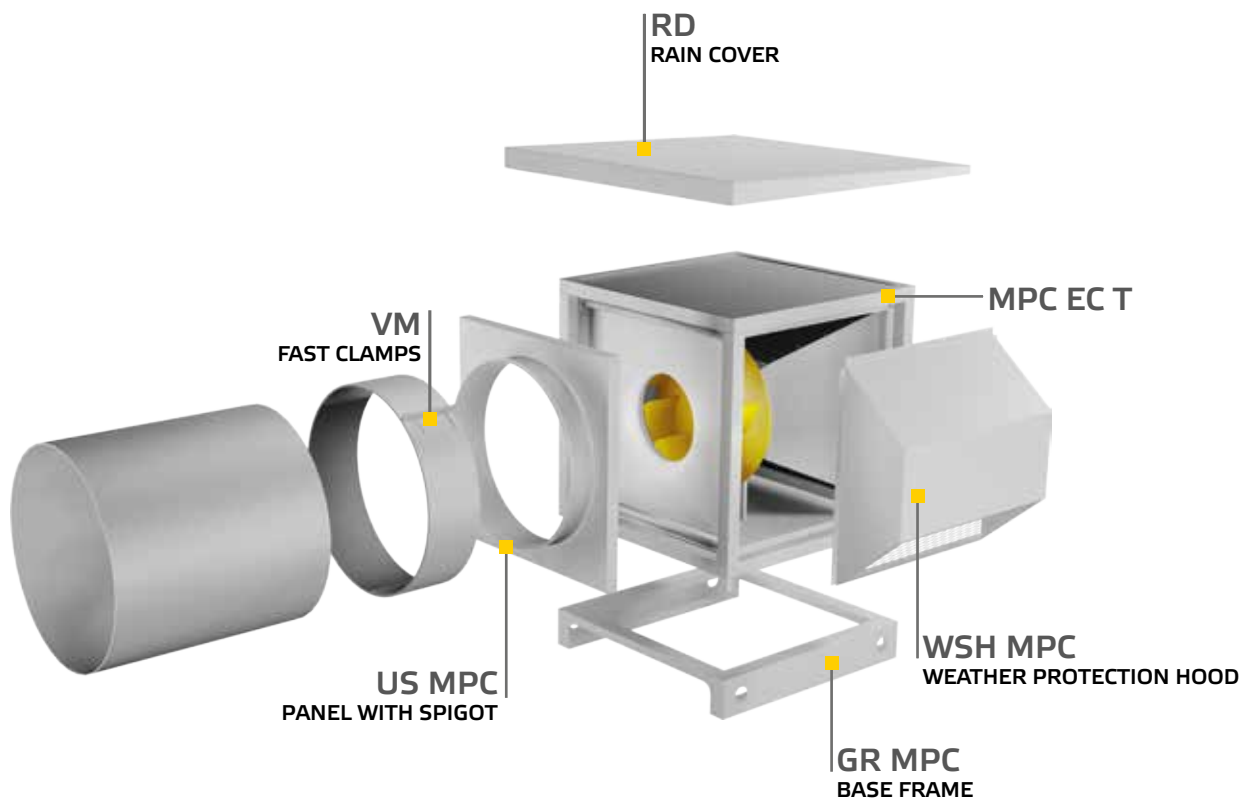
MPC...EC

- Three possible discharge directions, configurable on-site
- Backward curved radial impeller
- 30 mm sound insulation



MPC...EC T

- Extract fan with motor outside the air stream, acc. VDI 2052
- Variable discharge direction
- With condensate and fat drain



ROOF FANS



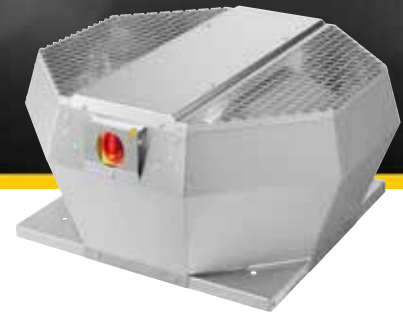
DHA...EC/...ECP

- Seawater resistant aluminum housing AIMg3
- Swing-out fan unit
- With isolator switch (...P version)



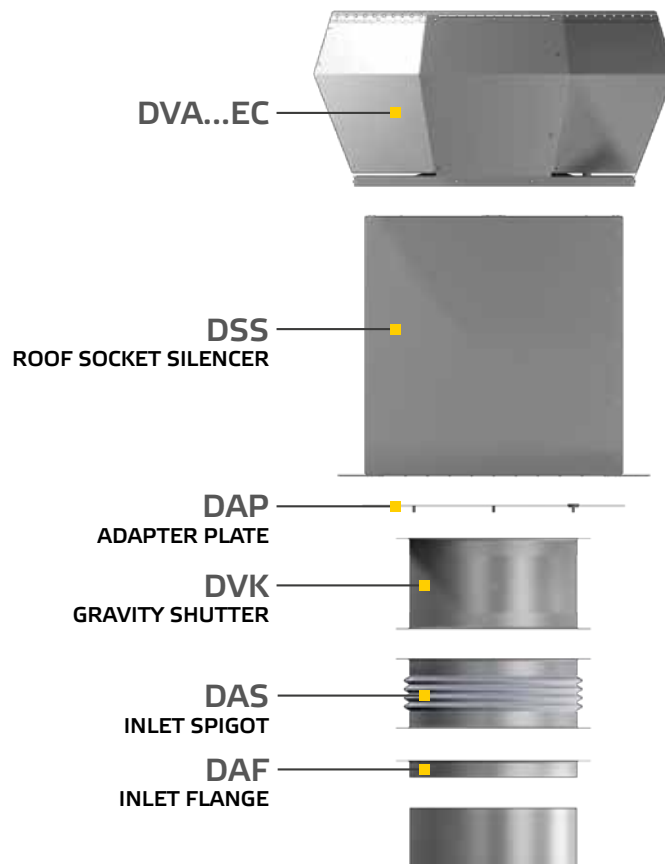
DHA...ECP_20/...EC CP

- Integrated constant pressure control (...ECCP version)
- Housing made out of weather-resistant plastic ASA, basalt gray RAL 7012
- With pre-installed power switch



DVA...EC/...ECP/...ECC/...ECCP

- Reduced roof pollution through vertical discharge
- Integrated constant pressure control (...ECCP version)
- Seawater resistant aluminum housing AIMg3



OUR PRODUCT RANGE

IN LINE TUBE FANS

ETALINE and ETAMASTER, the No. 1 in saving energy.



DUCT FANS

Backward curved centrifugal fans, sound insulated, compact diagonal fans.



EXHAUST FANS

For industrial or kitchen exhaust, up to 120 °C.



ROOF FANS

With horizontal and vertical discharge, up to 120 °C.



COMPACT AHU

With counter flow heat exchanger with more than 90% heat recovery efficiency and EC fans. Available with horizontal or vertical air guidance and flat units for suspended ceiling mounting.



COMPACT AHU

With rotary heat exchanger with 80% heat recovery efficiency and EC fans. Available with horizontal or vertical air guidance.



ruck Ventilatoren GmbH

Max-Planck-Str. 5
D-97944 Boxberg

Tel. +49 (0)7930 9211-300
Fax +49 (0)7930 9211-166

www.ruck.eu
info@ruck.eu

